

# CROSSHEAD REQUEST

## 1. COMPANY DATA

Company name: \_\_\_\_\_  
 Contact person: \_\_\_\_\_  
 Street and number: \_\_\_\_\_ PO Box: \_\_\_\_\_  
 Postal Code: \_\_\_\_\_ Country: \_\_\_\_\_  
 Phone: \_\_\_\_\_ Fax: \_\_\_\_\_  
 E-Mail: \_\_\_\_\_

## 2. PRODUCT INFORMATION

### A. Product Type/Class

Insulation  Sheating  Optical Fiber  
 Coaxial Cable  LAN, Telecommunication  Other

### B. Conductor/ Core Type

Copper Solid/Stranded  Steel  Aluminium  
 Core-Make Up  Other \_\_\_\_\_

### C. Product Definition

Core Diameter [mm] min.-max.: \_\_\_\_\_  
 Wall Thickness of Innerlayer [mm] min.-max.: \_\_\_\_\_  
 Wall Thickness of Mainlayer [mm] min.-max.: \_\_\_\_\_  
 Wall Thickness of Outerlayer [mm] min.-max.: \_\_\_\_\_  
 Outer Diameter [mm] min.-max.: \_\_\_\_\_  
 Line Speed [m/min] min.-max.: \_\_\_\_\_

### Material Type

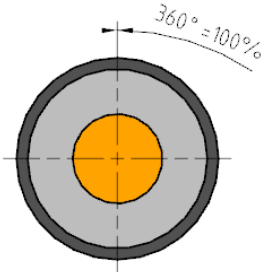
PVC  HFFR  EPDM  PE / PP  
 XLPE  PA/PC/PET  PUR  FEP



**D. Skin**

Yes

No



**E. Stripe**

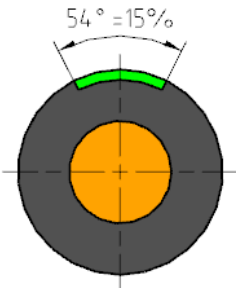
Yes

No

Number of stripes: \_\_\_\_\_

Width (% of Coverage Area): \_\_\_\_\_

Material: \_\_\_\_\_



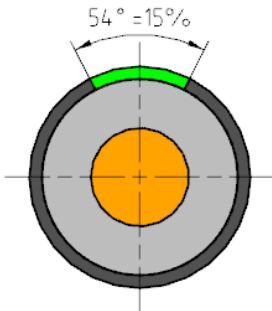
**F. Skin & Stripe**

Yes

No

Width of the stripe (% of Coverage Area): \_\_\_\_\_

Material: \_\_\_\_\_



**3. HEAD CONFIGURATION**

**A. Centering**

fixed

manual

variable

fine tuned

ball centered

**B. Head Operating & Cleaning Accessories**

Yes

No

**C. Crosshead Holder**

Yes

No

**D. Crosshead Trolley**

Yes

No



**E. Line**

Rosendahl Line      Order No.: \_\_\_\_\_  
 Customer Line      Product name: \_\_\_\_\_

**F. Tempering**

Electrical                                       Oil Tempered

**G. Vacuum Adapter**

Yes                                       No

**H. Voltage / electrical conditions**

Standard (= 3 x 400 V, PE ~ 50 Hz)  
 Other (specify) \_\_\_\_\_

**4. TOOLING – TIPS & DIES**

**A. Design**

Standard Rosendahl Design                                       Customer Design

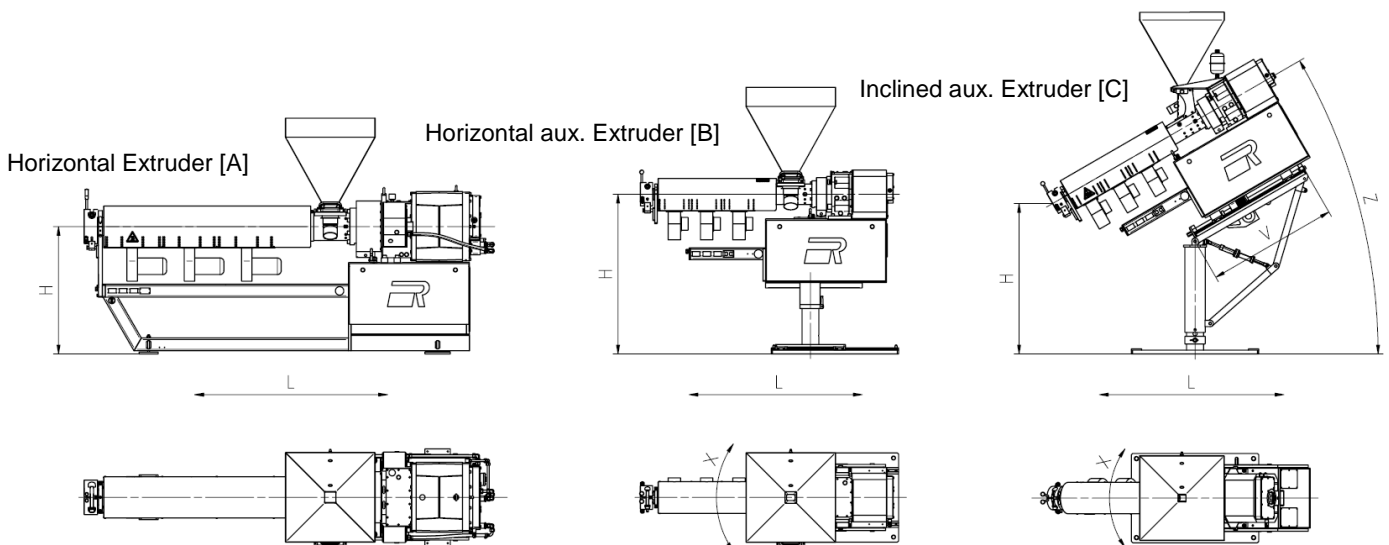
Number of tools: \_\_\_\_\_

**5. EXTRUDERS AND ADAPTERS**

**A. Product Direction**

left to right                                       right to left

**B. Extruder Types**



- 1) Extruder type \_\_\_\_\_ (insert A / B / C or other)  
 Extruder size \_\_\_\_\_ (screw siz; e.g. 30mm, 80mm...)  
 Height (H) \_\_\_\_\_ (when it's adjustable, please give range)  
 Moveable in L \_\_\_\_\_ (Yes / No / range?)  
 Rotatable around X \_\_\_\_\_ (range?)  
 Angle (Z) \_\_\_\_\_ (fix angle or range?)
- 2) Extruder type \_\_\_\_\_ (insert A / B / C or other)  
 Extruder size \_\_\_\_\_ (screw siz; e.g. 30mm, 80mm...)  
 Height (H) \_\_\_\_\_ (when it's adjustable, please give range)  
 Moveable in L \_\_\_\_\_ (Yes / No / range?)  
 Rotatable around X \_\_\_\_\_ (range?)  
 Angle (Z) \_\_\_\_\_ (fix angle or range?)
- 3) Extruder type \_\_\_\_\_ (insert A / B / C or other)  
 Extruder size \_\_\_\_\_ (screw siz; e.g. 30mm, 80mm...)  
 Height (H) \_\_\_\_\_ (when it's adjustable, please give range)  
 Moveable in L \_\_\_\_\_ (Yes / No / range?)  
 Rotatable around X \_\_\_\_\_ (range?)  
 Angle (Z) \_\_\_\_\_ (fix angle or range?)
- 4) Extruder type \_\_\_\_\_ (insert A / B / C or other)  
 Extruder size \_\_\_\_\_ (screw siz; e.g. 30mm, 80mm...)  
 Height (H) \_\_\_\_\_ (when it's adjustable, please give range)  
 Moveable in L \_\_\_\_\_ (Yes / No / range?)  
 Rotatable around X \_\_\_\_\_ (range?)  
 Angle (Z) \_\_\_\_\_ (fix angle or range?)

### C. By-Pass

	Extruder 1	Extruder 2	Extruder 3	Extruder 4
Manual	<input type="checkbox"/>	<input type="checkbox"/>	<input type="checkbox"/>	<input type="checkbox"/>
Pneumatic	<input type="checkbox"/>	<input type="checkbox"/>	<input type="checkbox"/>	<input type="checkbox"/>
Hydraulic	<input type="checkbox"/>	<input type="checkbox"/>	<input type="checkbox"/>	<input type="checkbox"/>

### 6. AUTOMATIC COLOR CHANGE ROCOMAT

- Yes       No



## 7. NOTES

### YOUR CONTACT PERSON AT ROSENDAHL

**David Ehrenreich**

Product Manager

**Rosendahl Nextrom GmbH**

Schachen 57, 8212 Pischelsdorf, Austria

Phone +43 3113 5100-175

Fax +43 3113 5100-51

Mobile +43 664 252 61 38

[david.ehrenreich@rosendahlnextrom.com](mailto:david.ehrenreich@rosendahlnextrom.com)

[www.rosendahlnextrom.com](http://www.rosendahlnextrom.com)

